

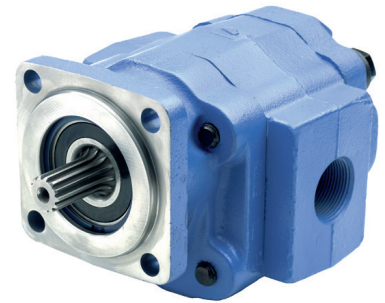


TECHNICAL SPECIFICATIONS



5151 SERIES

Medium displacement roller bearing pump and motor



PUMP PERFORMANCE CHART [gpm]

		GEAR WIDTH [in]					
		1 3/4	2	2 1/4	2 1/2	2 3/4	3
SPEED [rpm]	900	10.0	11.0	12.0	13.0	—	—
	1000	16.0	17.5	19.0	21.0	—	—
	1200	17.5	19.5	21.0	23.5	—	—
	1500	21.5	24.0	26.5	29.0	—	—
	1800	27.0	30.5	33.5	37.5	—	—
	2100	33.0	37.0	41.0	46.0	—	—
	2400	38.5	43.5	48.0	54.0	—	—
		44.0	50.0	55.5	62.0	—	—
Max RPM		2400					
Displacement (in³)		4.50	5.15	5.79	6.43	—	—
Displacement (cc)		73.70	84.40	94.90	105.40	—	—
Max Operating PSI		3000					

SPECIFICATIONS

Series	Type	Frame Size	Displacement	Max RPM	GPM @ 1000RPM	Max PSI
5151	Bearing	Medium	4.50-6.43	2400	16-23.5	3000

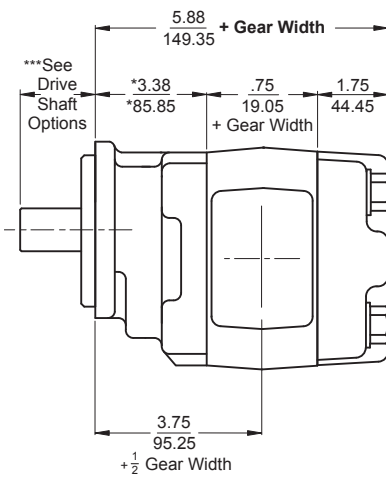
MOTOR PERFORMANCE CHART

GEAR WIDTH [in]

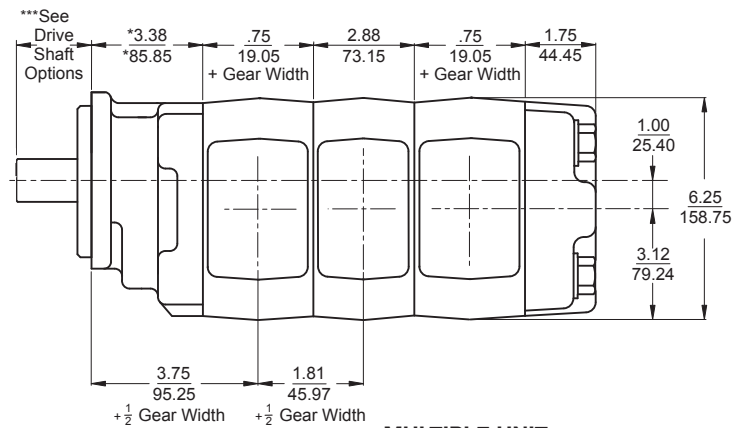
M5151 @ 2000 PSI

SPEED [rpm]	2			2 1/2		
	Input (GPM)	Output Torque (in-lb)	Output (HP)	Input (GPM)	Output Torque (in-lb)	Output (HP)
800	21.5	1530	18.5	26.5	1900	24
1000	26	1410	24	32	1885	30
1200	31	1495	28	37.5	1870	35.5
1800	40.5	1470	37	50	1820	45
2000	50	1410	44.5	62	1740	55

DIMENSIONAL DATA



SINGLE UNIT



MULTIPLE UNIT

